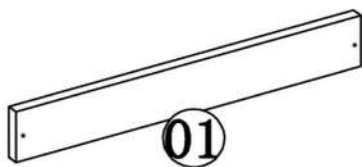


# Assembly Instruction

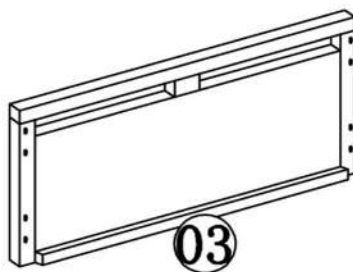
01 : Front Panel



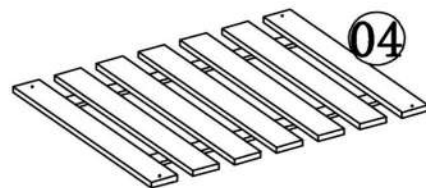
02 : Side Panel



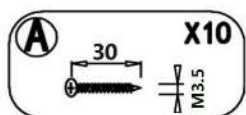
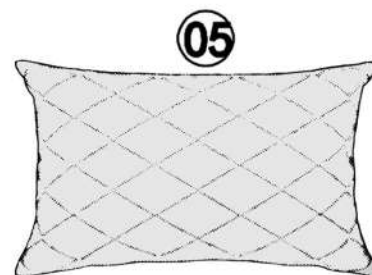
03 : Back Panel



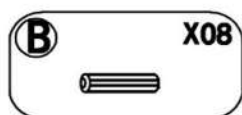
04 : Bottom Slats



05 : Cushion



Screw



Wooden Dowel



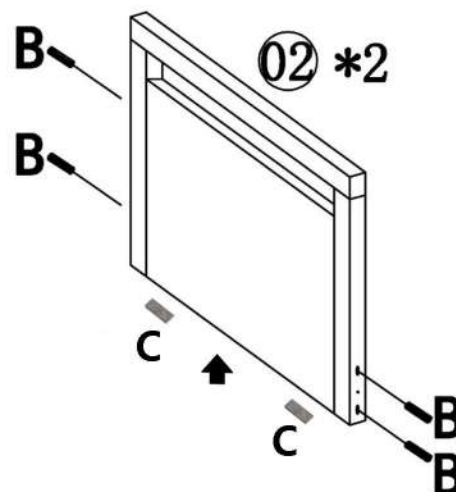
Foot Pad



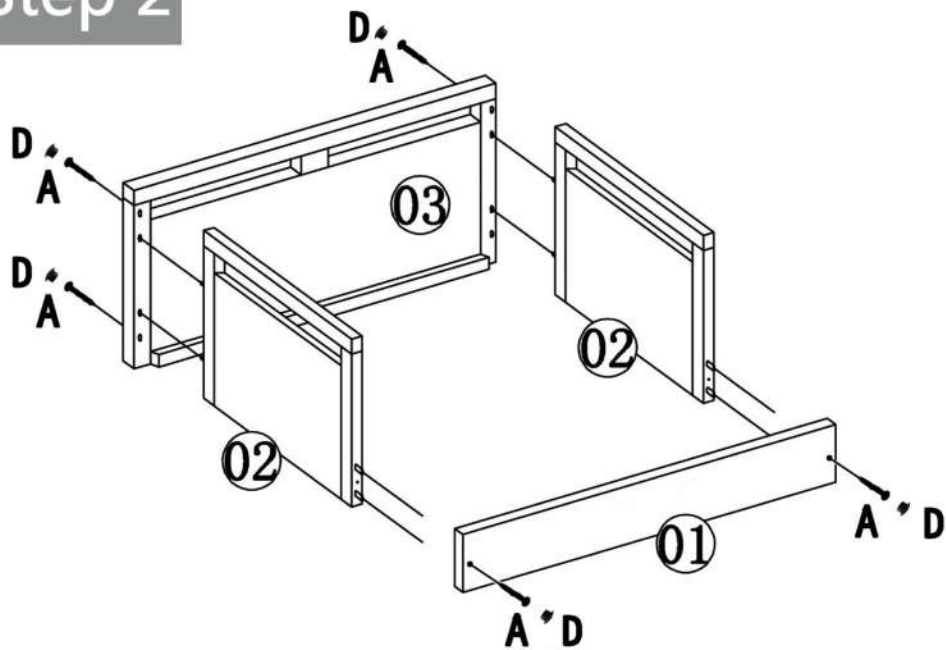
Screw Stopper

## Step 1

Attach foot pads to the bottom of side panels, then insert all the wooden dowels.



## Step 2

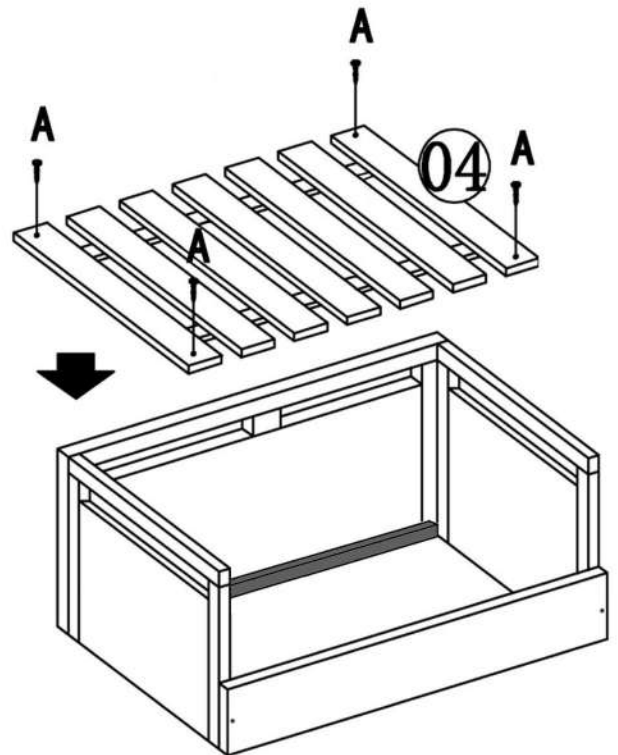


Secure the 4 panels with screws using screwdriver. (not included)

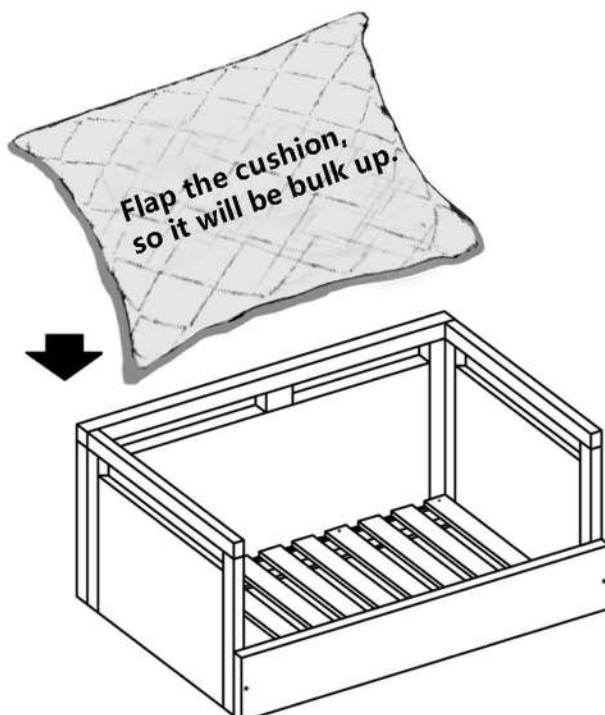
Insert the stoppers to cover the screw holes .

## Step 3

Secure the bottom slats to the support slats of the front and back panels .



## Step 4



Flap the cushion before placing it into the bed frame .

# ***Care Instructions:***

- Dust often using a clean, soft, dry, and lint-free cloth. Blot spills immediately and wipe with a clean, damp cloth.
  - We do not recommend the use of chemical cleansers, abrasives, or furniture polish on our lacquered finish.
  - Hardware may loosen over time. Periodically check to make sure all connections are tight, re-tighten if necessary.
- 
- Please note that product specifications and design may change without prior notice for the purpose of quality improvement.
  - Product may experience different coloration of the wood grain as frames are made of wood materials.
  - If you have received your ordered item with any defective parts or if you find that some parts are missing, please do contact us immediately. Our email is [support@iconicpet.com](mailto:support@iconicpet.com) Please include your order number and shipping address while contacting, to expedite the process.

Iconic Pet LLC  
95 Correja Ave  
Iselin NJ 08830  
[www.iconicpet.com](http://www.iconicpet.com)  
[info@iconicpet.com](mailto:info@iconicpet.com)

Made in China