

Assembly Instruction

01 : Front Panel

02 : Right Side Panel

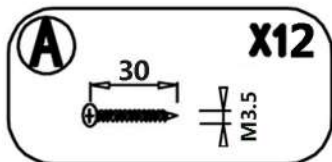
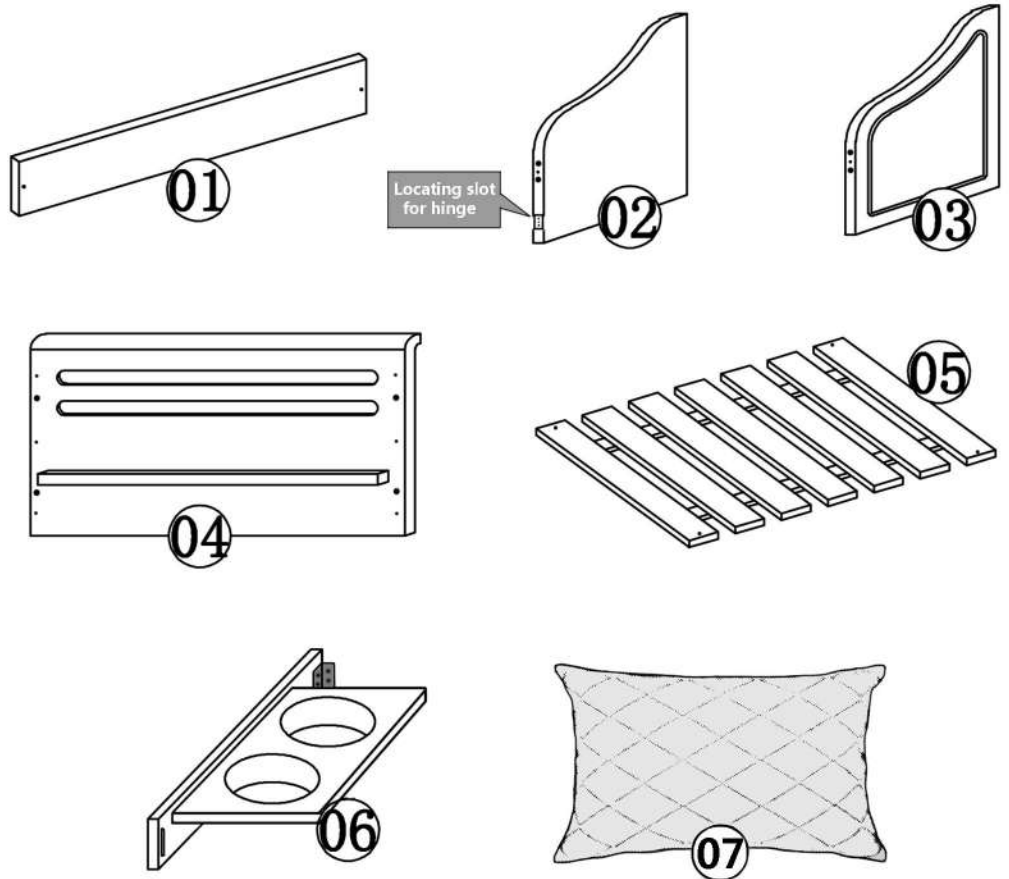
03 : Left Side Panel

04 : Back Panel

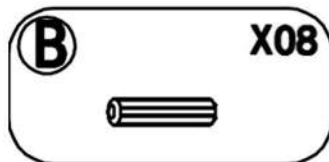
05 : Bottom Slats

06 : Feeder Panel

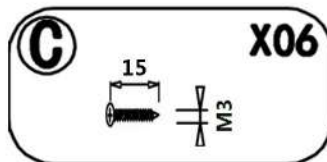
07 : Cushion



Longer Screw



Wooden Dowel



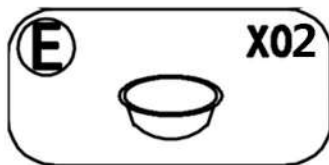
Shorter Screw



Foot Pad



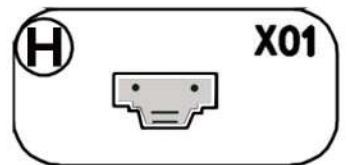
Wheel



Bowl



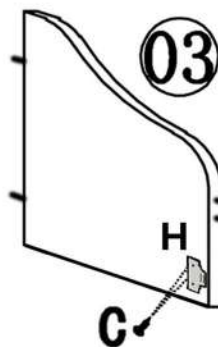
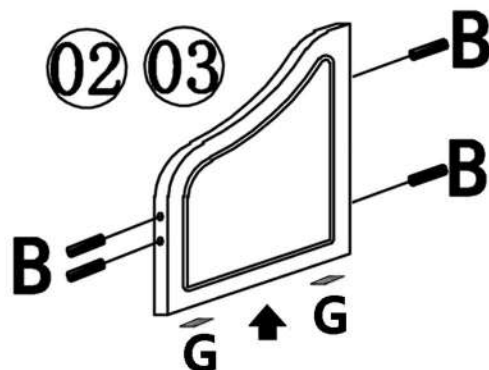
Screw Stopper



Magnetic Catch

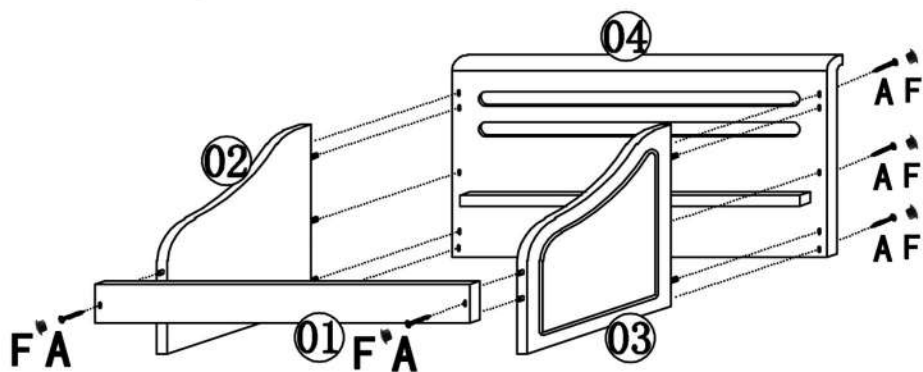
Step 1

Attach foot pads to the bottom of side panels, then insert all the wooden dowels.



Use shorter screws to secure the the magnetic catch to the left side panel . Put screw through pre-drilled hole first and guide into place .

Step 2

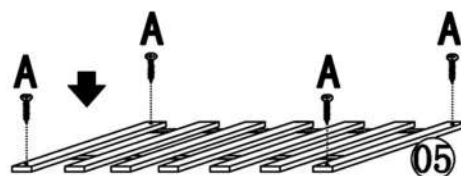


Secure the 4 panels with screws using screwdriver.
(not included)

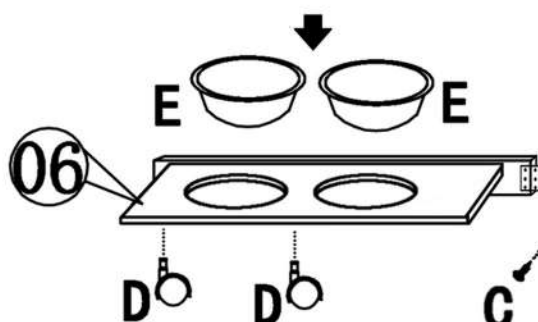
Insert the stoppers to cover the screw holes .

Step 3

Secure the bottom slats to the support slats of the front and back panels .

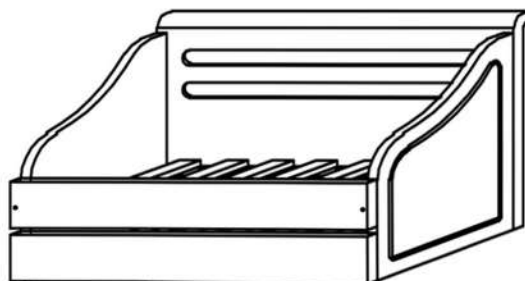


Hold both ends of the screwdriver to push the wheel into the slot .



Secure the hinge of the feeder panel to the right side panel , using shorter screws .

Step 4



Flap the cushion before placing it into the bed

Care Instructions:

- Dust often using a clean, soft, dry, and lint-free cloth. Blot spills immediately and wipe with a clean, damp cloth.
 - We do not recommend the use of chemical cleansers, abrasives, or furniture polish on our lacquered finish.
 - Hardware may loosen over time. Periodically check to make sure all connections are tight, re-tighten if necessary.
-
- Please note that product specifications and design may change without prior notice for the purpose of quality improvement.
 - Product may experience different coloration of the wood grain as frames are made of wood materials.
 - If you have received your ordered item with any defective parts or if you find that some parts are missing, please do contact us immediately. Our email is support@iconicpet.com Please include your order number and shipping address while contacting, to expedite the process.

Iconic Pet LLC
95 Correja Ave
Iselin NJ 08830
www.iconicpet.com
info@iconicpet.com

Made in China